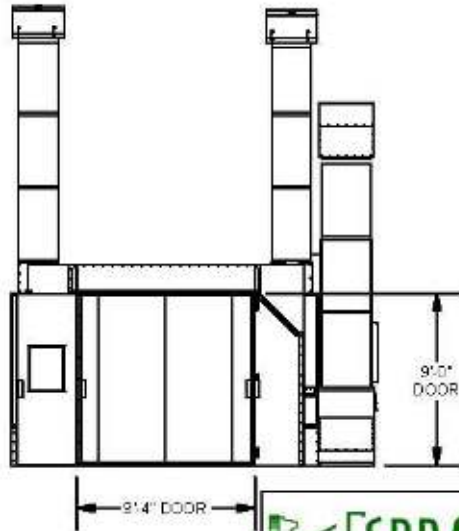
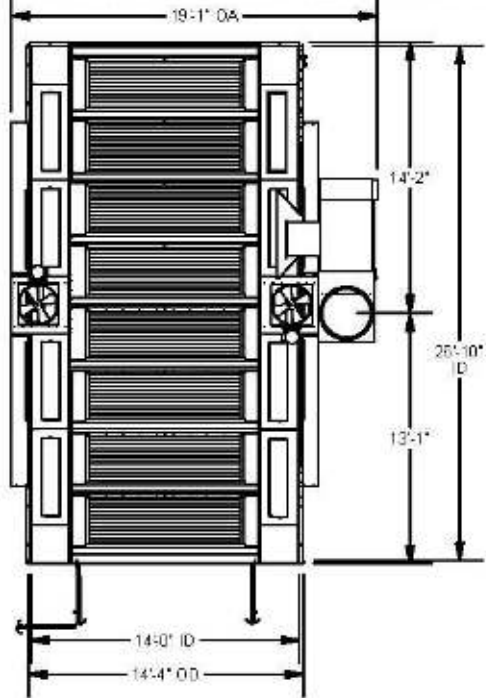
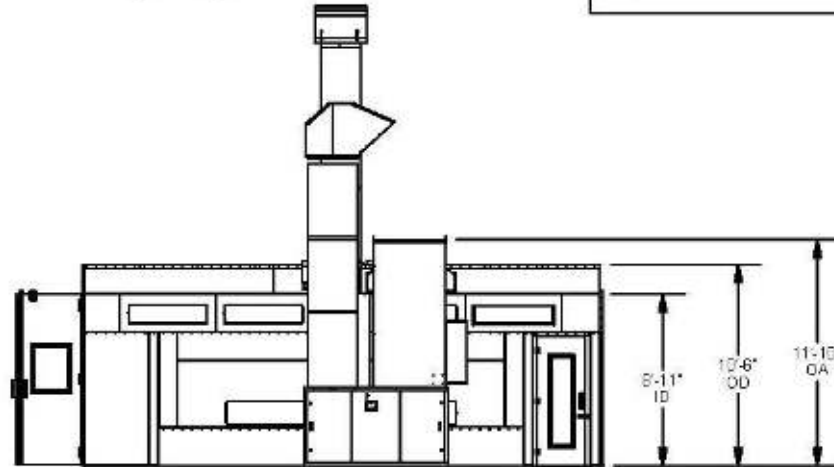
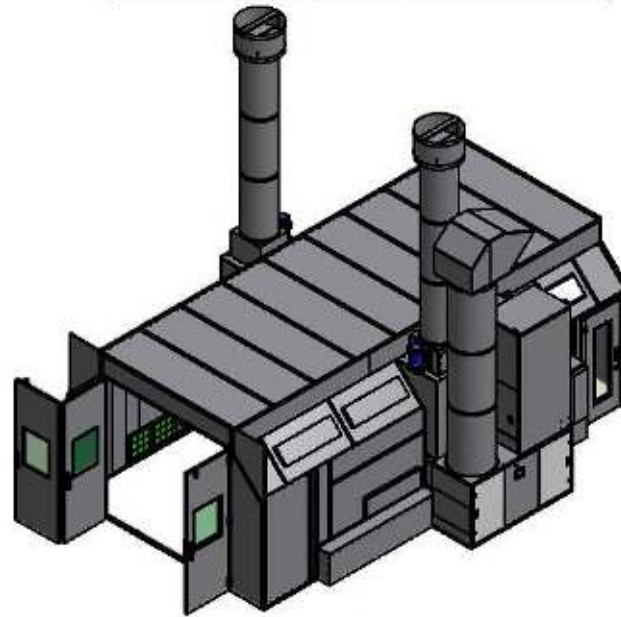


ALL DIMENSIONS ARE FOR REFERENCE ONLY AND SUBJECT TO CHANGE



ELECTRICAL REQUIREMENT

STANDARD EQUIP.	VOLTS	FULL LOAD AMPS
(12) 4-TUBE EIGHT FITTURES	115-277V	0.9-0.28 AMPS PER FITTURE
(2) 2HP FAN MOTORS	208-230/460V	7.5-8.6/34 AMPS
(1) 7.5 BL DWR MOTOR	208-230/460V	34.2-33/11 AMPS



SPRAY BOOTH PERMIT REQUIREMENTS:

- (1) AIR AND FIRE SUPPRESSION OR SPRINKLERS TO BE INSTALLED BY LOCAL CONTRACTOR ON SEPARATE PERMIT.
- (2) SPRAY BOOTH TO BE SEPARATED FROM OTHER OPERATIONS BY NOT LESS THAN 2' OR 3' WALL OR PARTITION, INTERIOR SURFACES SMOOTH AND CONTINUOUS.
- (3) AIR SHALL EXHAUST EXIT IN 8' OF THE FLOOR TO PICK UP FLAMMABLE VAPORS.
- (4) MECHANICAL VENTILATION SHALL BE KEPT IN OPERATION AT ALL TIMES WHILE SPRAYING OPERATIONS ARE CONDUCTED AND FOR A SUFFICIENT TIME THEREAFTER TO ALLOW VAPORS FROM DRYING COATED ARTICLES AND FINISHING MATERIAL RESIDUE TO BE EXHAUSTED.
- (5) AIR VELOCITY SHALL BE DESIGNED, INSTALLED AND MAINTAINED SUCH THAT THE AVERAGE AIR VELOCITY ACROSS THE FILTER SECTION OF THE SPRAY BOOTH DURING SPRAYING SHALL BE NOT LESS THAN 100 LM. FPM.
- (6) ELECTRIC MOTORS DRIVING EXHAUST FANS SHALL NOT BE PLACED IN BOOTHS OR DUCTS. FANS ROTATING ELEMENTS SHALL BE NON-FERROUS OR NON-SPARKING OR CASING SHALL BE LINED WITH SUCH MATERIAL.
- (7) BELTS SHALL NOT ENTER BOOTHS OR DUCTS UNLESS BELTS AND PULLEYS WITH IN A DUCT OR BOOTH ARE THOROUGHLY ENCLOSED.
- (8) ELECTRICAL GROUNDING IS REQUIRED FOR METAL PARTS OF SPRAY BOOTH, EXHAUST DUCTS AND PIPING SYSTEMS, CONFORMING CLASS I OR II LIGHTS IN ACCORDANCE WITH THE ELECTRICAL CODE.
- (9) ELECTRICAL INTER LOCK IS REQUIRED SO THAT SPRAYING CANNOT BE CONDUCTED UNLESS THE VENTILATION FANS ARE IN OPERATION VIA AIR SILENCER.
- (10) INSIDE THE BOOTH ELECTRICAL SHALL BE CLASS DIV I.
- (11) ALL ELECTRICAL COMPONENTS ARE ILLUSTED.
- (12) CLOSED BOOTH OPENINGS ARE CONSIDERED CLASS DIV I WITHIN 3' OF THE OPENINGS.
- (13) NO SMOKING OR WELDING SIGNS SHALL BE POSTED WITH LARGE LETTERS AND A CONTRASTING BACKGROUND IN ALL SPRAY AREAS AND PAINT STORAGE ROOMS.
- (14) ALL BOOTH IS MET OR EXCEED NFPA 300-UMC-IFC-UBC CODES.
- (15) SPRAY ENCLOSURE TECHNOLOGIES AUTO SPRAY BOOTH ARE ETL LISTED #3000457-001 AND OPEN FACE SPRAY BOOTH ARE ETL LISTED #3027070-001 MERCURY HEATER ETL LISTED REPORT #3001072-005.
- (16) FLOOR MUST BE FLAT AND LEVEL +/- .001.

 **SPRAY-TECH**
www.spraytech.com

PART NUMBER : TDDSE272

DESCRIPTION: Booth 27" Side Down Draft

CREATION DATE: 7/22/2005

DRAWING NUMBER : TDDSE272-Spec.idw

MATERIAL:

FINISH:

QTY: